

## RF Mini RGB Controller



This RF Mini RGB controller has an advanced computer control chip. Controlled by 433Mhz wireless remote. It is mainly used to controlled all kinds of constant voltage led lights, such as: LED source, LED strips, LED wall washer, wall glass curtain lights, etc. It's integrated with low cost, easy connection, simple manipulation and others advantages. The user can choose the mode of fade, strobe, blasting flash, flicker, and other static colour model. What's more, this controller has the characteristics of small volume, easy to carry, etc.

**Before installing this product, please read this manual carefully to ensure full understanding of the specification to avoid unnecessary damage.**

## Directions for use

- The supply voltage for this product is DC 5V-24V, never connect to a mains voltage.
- Always connect the load first then apply the power taking care not to short circuit.
- Lead wires should be connected according to the connection diagram.
- Do not overload the controller. Refer to technical specifications.
- Remove the isolation tab from the remote control battery.

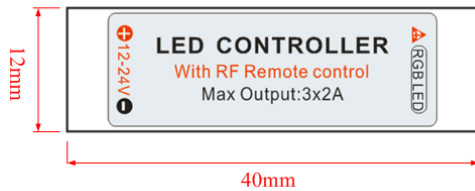
## Technical Specifications

### Controller:

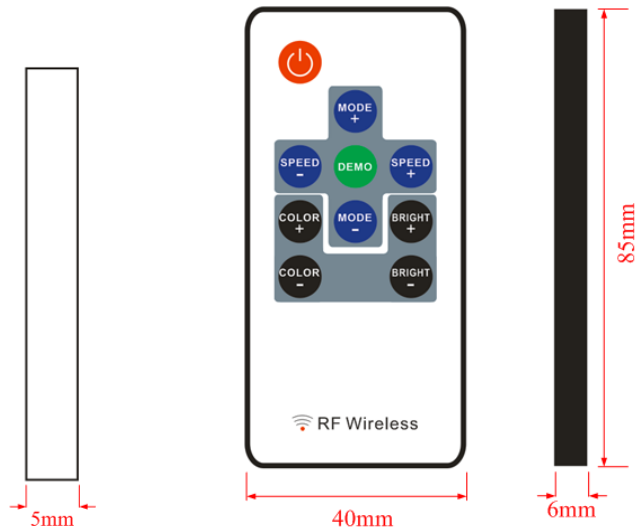
- Operating Temperature: -20°C +60°C
- Supply Voltage: DC 5V - 24V
- Output: 3 Channels
- Connection Mode: Common Anode
- Static Power Consumption: <0.5W
- Output Current: 2A x 3Ch = 2A 4A per channel
- Output Power: 5V: <30W, 12V: <72W
- Remote Control Dimensions: L 85 x W 40 x H 6 mm
- Size: L 40 x W 12 x H 5mm
- Net Weight: 35g
- Gross Weight: 40g

## External dimensions:

Controller Size



Remote Control




## Connection description:



**Power input:** 5.5 x 2.1mm female DC connector **Signal output port:** 2.54mm female 4 pins

## Direction for use:

### 1. The match code instructions:

Press the ON/OFF key  within 4 seconds when power the controller. Each time powered the controller, just can be match code for one time. If want to match code again, then need to cut off the power, connected to the power again.

## 2. Remote control function instructions:

There are 10 buttons on the remote, the functions are as below :



Turn ON/OFF the controller. Press this key within 4 seconds to match code when powered the controller.



Auto play key. on any state to press this button, the controller will be take turns to play each dynamic mode by cycle for 3 times.



In dynamic mode, press this key switch to static mode for the first time, the colour will backward/forward to the next colour when press each time.



In dynamic mode, press this key switch to static mode for the first time, the brightness will increase/decrease for one level when press each time, total 5 level.



In static mode, press this key switch to dynamic mode for the first time, switch to the next backward/forward mode when press each time.

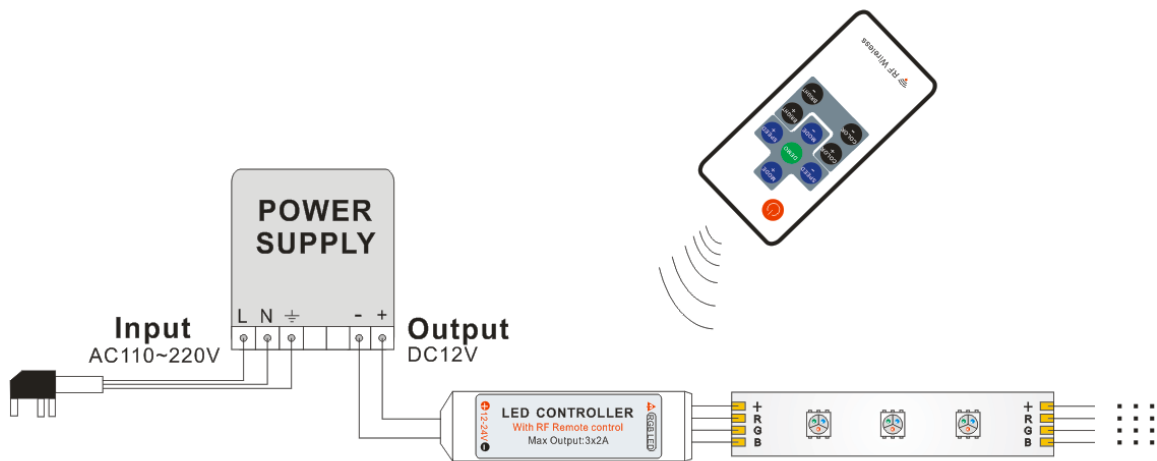


In static mode, press this key switch to dynamic mode, the changing speed will increase/decrease for one level when press each time, total 10 level.

3.This controller's sequence is +RGB order, in case of other sequence(+BRG/+GRB) will appear in the other effect. Based on sequence of + RGB, pattern are as follows:

	NO.	Mode	NO.	Mode	NO.	Mode
Dynamic model	1	7 colour fade	8	Purple fade in and fade out	15	Blue blasting flash
	2	3 colour fade in and fade out	9	Blue fade in and fade out	16	Purple blasting flash
	3	7 colour fade in and fade out	10	3 colour Jump	17	Yellow blasting flash
	4	White fade in and fade out	11	6 colour Jump	18	White blasting flash
	5	Green fade in and fade out	12	3 colour flash	19	3 colour blasting flash
	6	Yellow fade in and fade out	13	Red blasting flash		
	7	Red fade in and fade out	14	Green blasting flash		
Static mode	NO.	Mode	NO.	Mode	NO.	Mode
	1	Red	8	Milk-white	15	Blue-purple
	2	Green	9	Dark yellow	16	Yellow-white
	3	Blue	10	Sky blue	17	Yellow
	4	White	11	Brown	18	Cyan
	5	Orange	12	Pink-white	19	Purple
	6	Light green	13	Light-yellow	20	Blue-white
7	Dark blue	14	Light blue			

## Typical Applications:



### Notes:

- The load voltage, current and power must be consistent with the product.
- Please make the connection as per the diagram above – ensure you connect the load wire before connecting the power. When in use avoid short circuits.