

RF Single Colour Dimmer



This Single Colour LED Dimmer Switch will allow you to wirelessly control the brightness of your Single Colour LED Strip Lights using a small keyring remote controller. Works with both Warm and Cool White LED Strip Lights.

Before installing this product, please read this manual carefully to ensure full understanding of the specification to avoid unnecessary damage.

Features

- LED wireless single colour dimmer RF remote
- Works on 12V and 24V
- 0%-100% Dimming
- Compatible with LED MR16/MR11/G4/Strip/Rigid

Technical Specifications

Controller :

- Operating Temperature: -20°C +60°C
- Supply Voltage: DC 12V - 24V
- Output: 1 channel
- Static Power Consumption: <1W
- Output Current: 8A x 1Ch = 8A per channel
- Output Power: 12V: <92W, 24V: <192W
- Controller Dimensions: L 115 x W 56 x H 34mm
- Packing Size: L 121 x W 85 x H 46mm
- Net Weight: 100g
- Gross Weight: 112g

External dimensions:

Controller



Remote Control

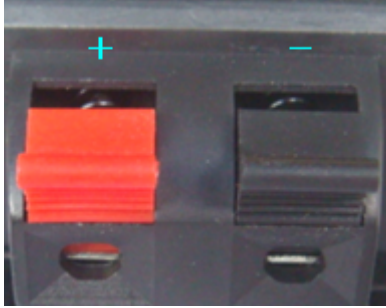


Packing Size

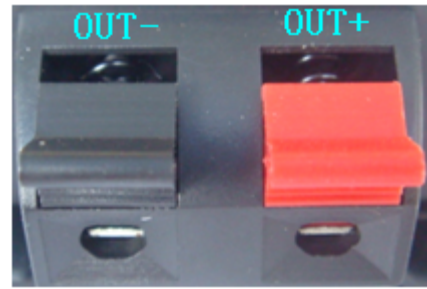


Interface Specifications:

Power Input Interface:






Load output interface:

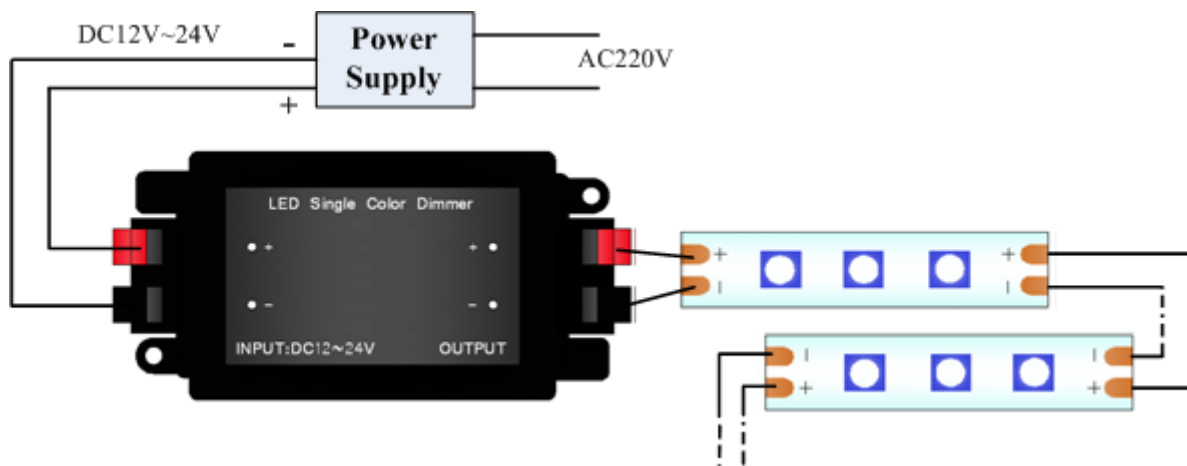


Directions for use

- The supply voltage for this product is DC 12V-24V, never connect to a mains voltage.
- Wireless controller - Each button press will flash once for the following functions:

Symbol	Button Name	Instruction
	Brightness up	When the controller is on, press this key to increase the brightness of the output load.
	Brightness down	When the controller is on, press this key to decrease the brightness of the output load.
	On/off	The output switch, turn on or off the controller output at any state.

Typical Applications



DC+ : For power input + (power supply voltage DC 12V-24V)

DC- : For power input -

Notes:

- The load voltage, current and power must be consistent with the product.
- Please make the connection as per the diagram above – ensure you connect the load wire before connecting the power. When in use avoid short circuits.

Common Problems

Problems	Possible cause	Solution
1. Lamp does not light after applying power.	Power cord is not properly connected or there is no output from the power supply.	Connect the power cord properly or re-apply the power.
	Lamp power cord is not connected or has short circuited.	Connect lighting power cord.
2. After connecting the load the controller does not work.	The connected load is too large so it has damaged some of the components of the controller.	Replace damaged components or replace the controller.